

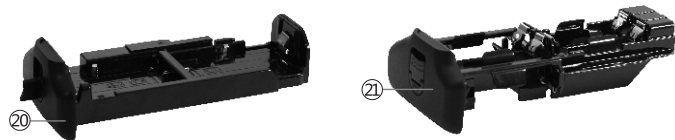
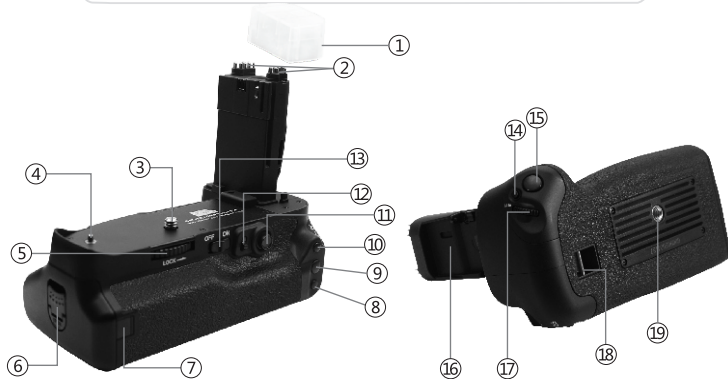
Instruction Manual

使用說明書



Vertax Battery Grip E16 For Canon 7D II

電池盒兼手柄



Name of each part (部件名稱)

- | | |
|--|------------------------------|
| ① Protective cover | ① 保護蓋 |
| ② Electrical contact | ② 電子觸點 |
| ③ Mounting screw | ③ 固定螺釘 |
| ④ Guide pin | ④ 定位銷 |
| ⑤ Locking knob | ⑤ 裝卸旋鈕 |
| ⑥ Battery magazine release handle | ⑥ 電池倉鎖把手 |
| ⑦ DC cord mount | ⑦ 直流電源綫插孔 |
| ⑧ AF point selection button | ⑧ 自動對焦點選擇按鈕 |
| ⑨ AE lock button | ⑨ 自動曝光鎖定按鈕 |
| ⑩ AF start button | ⑩ 自動對焦啟動按鈕 |
| ⑪ Multi-controller | ⑪ 多功能控制按鈕 |
| ⑫ AF area selection lever | ⑫ 自動對焦區域選擇杆 |
| ⑬ Vertical-grip operation switch | ⑬ 縱向位置操作開關 |
| ⑭ Multi-function button/AF area selection button | ⑭ 多功能按鈕/自動對焦區域選擇按鈕 |
| ⑮ Shutter button | ⑮ 快門按鈕 |
| ⑯ Camera battery cover slot | ⑯ 相機電池倉蓋槽 |
| ⑰ Main Dial | ⑰ 主撥盤 |
| ⑱ Hand strap mount | ⑱ 手提帶環 |
| ⑲ Tripod socket | ⑲ 三腳架接孔 |
| ⑳ Battery Magazine BGM-E9L (for LP-E6/LP-E6N) | ⑳ 電池夾BGM-E9L (LP-E6/LP-E6N用) |
| ㉑ Battery Magazine BGM-E9A (for size-AA/LR6 batteries) | ㉑ 電池夾BGM-E9A (AA/LR6尺寸電池用) |



Battery Grip Vertax E16

Instructions

Thank you for purchasing a PIXEL product.

The Vertax is a battery grip that can hold 2pcs battery LP-E6/LP-E6N or 6pcs size AA/LR6 batteries. It is also equipped with a vertical-grip shutter button. Multi selector Attachment wheel, Main Dial, etc. to enable shooting in the same way as with horizontal grip.

Attach to the Camera

1. Remove the battery from the camera. (Fig.1-1)
2. Remove the camera battery compartment cover. (Fig.1-2)
3. Insert the detached cover into its storage slot to ensure that it will not be lost. (Fig.2)

When taking out the cover, press lightly on the cover hinge and pull it out upward at a slanted angle.

4. Remove the protection cover, and then insert the electrical contacts into the camera battery compartment (Fig.3-1)
5. Align the attachment screw with the camera's tripod socket, and then turn the attach/detach knob to tighten securely. (Fig.3-2)

- Do not further push open the battery compartment cover when it is already opened. Doing so may damage its hinge.
- Be sure to attach the battery grip to the camera before inserting the batteries. The results of the battery check may not be displayed properly if you attach the battery grip to the camera with the batteries already inside.
- Before moving the battery grip from the camera, be sure to turn the camera's power switch to (off), and take out the batteries. After removing the batteries, attach the protective cover to the electrical contacts.

Lithium Battery Installation

1. After flipping out the release handle, turn it as shown by the arrow, and then pull out the battery magazine (BGM-E9L). (Fig.4)
 2. Insert one or two Battery BGM-E9L into the battery magazine (for LP-E6/LP-E6N). (Fig.5)
 3. Attach the battery magazine into the battery grip. (Fig.6-1) After attaching, check that the battery magazine is securely attached to the battery grip.
 4. Close the release handle. (Fig.6-2)
- If only one battery is used, it can be inserted in either the right or left side.
 - If two battery packs are inserted, power is supplied simultaneously by both batteries. Two batteries with different charging levels can be inserted and used without any problems.
 - Removing the battery packs or size -AA/LR6 batteries from the battery grip when the camera will not be used for an extended period.

AA/LR6 Battery Installation

1. Insert the batteries into the Battery Magazine BGM-E9A (for Batteries). (Fig.7) Make sure the +and -battery contacts are properly oriented as shown in the figure.
2. Attach the battery magazine into the battery grip. (Fig.8-1)
3. Close the release handle. (Fig.8-2)

- Less images can be shot when using size-AA/LR6 batteries. Also, the number of possible shots may vary depending on the batteries brand and storage conditions, so usage of size-AA/LR6 batteries is recommended only for emergencies.
- When using with non-rechargeable size AA/LR6 batteries, please use when temperature is above 20°C. The camera may not work when used in low temperature or when old and new batteries are used together.

Using the Battery Grip

1. Turning the vertical-grip operation switch to (ON)(Fig.9)make the battery grip buttons and dial function in the same way as those on the camera.
2. When shooting in the horizontal-grip position, turn the vertical-grip operation switch to (OFF) so that you will not accidentally use the buttons or dial on the battery grip.
3. The battery power level can be checked on the camera, such as the right Fig.

Battery info.	
LP-E6N	65%
Shutter count	0
Recharge performance	■■■
LP-E6	66%
Shutter count	13
Recharge performance	■■■

Specifications

Battery:	1 or 2 of LP-E6/LP-E6N Battery, Or 6pcs AA/LR6 Alkaline Battery
Power switch:	Camera's Power Switch
Working temperature:	0°C-+40°C
Working humidity:	85% Or Less
Dimensions:	Approx.150.1x84.9x116.7mm
Weight:	Approx.259.8g(without batteries and battery magazine)

The product specifications and exterior are subjected to change without notice.

This manual information is updated at 5th, Jan., 2015. If you wish to use this product combined with other Pixel products published after this date; please consult with the PIXEL dealer for further information.

Now you can start to use incredible PIXEL product. If you have any question, please contact your local dealer or visit to <http://www.pixelhk.com>.

電池盒兼手柄 E16

使用說明書

感謝你購買品色產品。

E16是一個可以裝兩個電池LP-E6/LP-E6N 或6個AA/LR6尺寸電池的電池盒兼手柄。本電池手柄還配有縱向位置快門按鈕、多功能按鈕、主撥盤等，使你在縱向拍攝時與橫向拍攝時的操作方式相同。

在使用本產品之前，請務必仔細閱讀本使用說明書。

請務必妥善保管好本書，以便日後能隨時查閱。

請在充分理解內容的基礎上，正確使用。

安裝到相機

- 1.從相機中取出電池。(圖1-1)
 - 2.卸下相機電池盒蓋。(圖1-2)
 - 3.將卸下的電池盒蓋插入存放區，以免丟失(圖2)。
- 當取出電池盒蓋時，請輕輕的按住電池盒蓋的轉軸，並以傾斜的角度向上將其拉出。
- 4.卸下保護蓋，然後將電子觸點部插入相機電池盒。(圖3-1)
 - 5.將固定螺釘與相機三腳架接孔對準，然後擰緊裝卸旋鈕。(圖3-2)

- 當電池盒蓋已打開時，請不要繼續推開盒蓋。這樣做可能會損壞電池盒蓋得轉軸。
- 在插入電池之前，請務必先將電池手柄安裝到相機上。如果您將已裝入電池的電池手柄安裝到相機上，則相機可能無法正確地顯示電池電量檢測結果。
- 將電池手柄從相機上卸下之前，請務必先將相機的電源開關撥到(OFF)位置並取出電池。取出電池後，請為電子觸點安裝保護蓋。

安裝鋰電池

- 1.撥出電池盒鎖把手後，按照箭頭所示反向轉動，然後拉出電池夾(BGM-E9L)。(圖4)
- 2.在電池夾(BGM-E9L)中裝入單個或兩個電池 LP-E6/LP-E6N。(圖5)
- 3.將電池夾裝入電池手柄。(圖6-1)
- 4.關閉電池盒鎖把手。(圖6-2)

- 如果祇使用單個電池，可將其裝在右側或左側。
- 如果安裝了兩個電池，則兩個電池同時供電。可裝入兩個電量不同的電池並且使用起來不會有任何問題。
- 長時間不使用相機時，請從電池手柄中取出鋰電池。

裝入AA/LR6尺寸電池

- 1.將電池裝入電池夾BGM-E9A(AA/LR6尺寸用)。(圖7)按照圖示所示，確保電池的正負觸點朝向正確。
- 2.將電池夾裝入電池手柄。(圖8-1)
- 3.關閉電池盒鎖把手。(圖8-2)

- 使用AA/LR6尺寸電池時，能夠拍攝的圖像較少。此外，根據電池的品牌和存放條件，能夠拍攝的圖像張數可能不同，因此建議您祇在緊急的情況下使用AA/LR6尺寸電池。
- 利用非充電式AA/LR6尺寸電池時，請在20°C以上的溫度下使用6個相同品牌的新電池。在低溫條件下或新舊電池混合使用時，相機可能不工作。

使用電池手柄

- 1.將縱向位置操作開關轉到(ON)位置(圖9)以使用電池手柄按鈕和撥盤功能與相機相應部分的功能相同。
- 2.在進行橫向位置拍攝時，請將縱向位置開關轉到(OFF)位置，以免不小心使用電池手柄上的按鈕或撥盤。
- 3.可以在相機上查看電池電量，如右圖。

電池資訊	
LP-E6N	65%
快門釋放次數	0
電池充電效能	■■■
LP-E6	66%
快門釋放次數	13
電池充電效能	■■■

規格

電源	(1)一個或兩個電池LP-E6/LP-E6N (2)6個AA/LR6尺寸鹼性電池
電源開關	相機的電源開關
工作溫度範圍	0°C-+40°C
工作濕度範圍	85%或更小
尺寸	約150.1x84.9x116.7mm
重量	約259.8克(不含電池和電池夾的重量)

產品規格及外觀如有變化，恕不另行通知。

本說明書中的信息更新至2015年01月05日，如果要與此日期之後發布的產品組合使用，有關信息請向品色經銷商諮詢。

現在，你可以體驗無與倫比的品色產品。如有任何疑問可以向當地經銷商諮詢，或登陸 <http://www.pixelhk.com>查詢

製造商：深圳市品色科技有限公司
地址：深圳市龍華新區龍華大浪石凹第二工業區第二棟
電話：400-8084899